

# 2.7" Front Light Panel

Product Data Sheet | February 2015



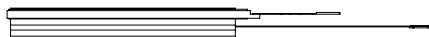
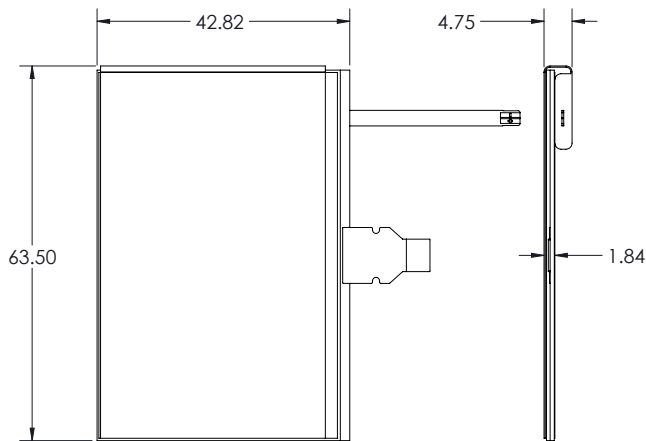
## Description

The FLEX Front Light Panel is designed to mate directly with 2.7" diagonal reflective displays. FLEX's design incorporates only a single LED along with precise light control elements to provide the most elegant and most efficient front light on the market. The FLEX Front Light Panel can be mated with reflective LCDs (including the Sharp™ LS027B7DH01 memory LCD), transreflective LCDs and reflective e-paper displays.

- Single LED with ultra-low power consumption
- Smallest 'z' dimension front light on the market
- Invisible when integrated onto a display
- Bezel-free product designs when wrapping LED behind the display
- Flexible for curved architectures

For more information:  
[www.flexlighting.com](http://www.flexlighting.com)  
(773) 295-0305  
[info@flexlighting.com](mailto:info@flexlighting.com)

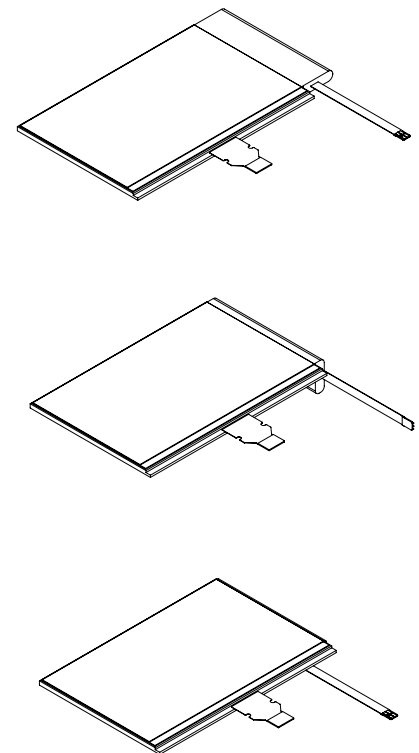
## Mechanical Dimensions



11103-03  
UNDER DISPLAY

All dimensions in mm

Flexible film allows for various orientations (examples below)



## Electrical

Item	Symbol	Typ.	Absolute Maximum	Unit
Forward Voltage	$V_F$	3.0	3.3	V
Forward Current	$I_F$	12	25	mA

Recommended ZIF Connectors:

- Molex 503480-0400
- Molex 52745-0497
- Molex 54550-0471
- Molex 54548-0471 (bottom)
- I-PEX 20542-004E-01